



BATEL
elektromekanik

BGK SF6 CIRCUIT BREAKER
TYPE 12-24-36 kV

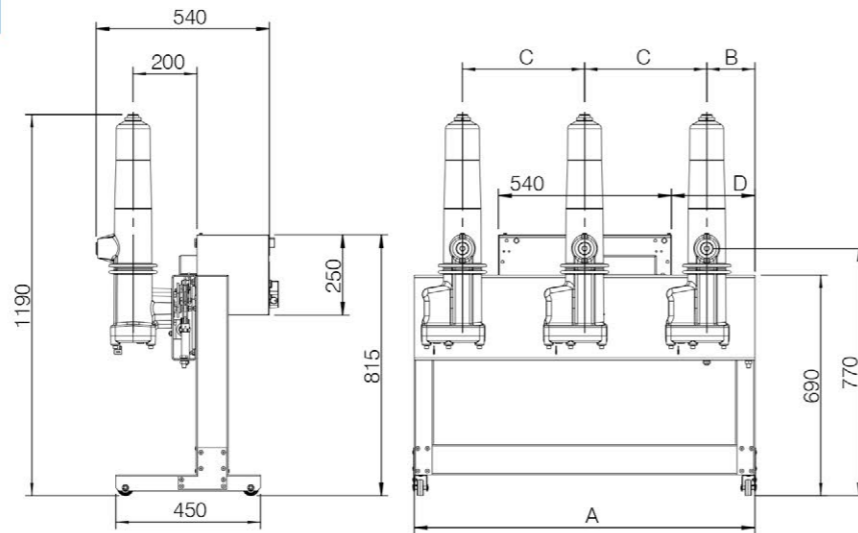
BGK SF6 CIRCUIT BREAKER

TYPE SF6 12-24-36 kV



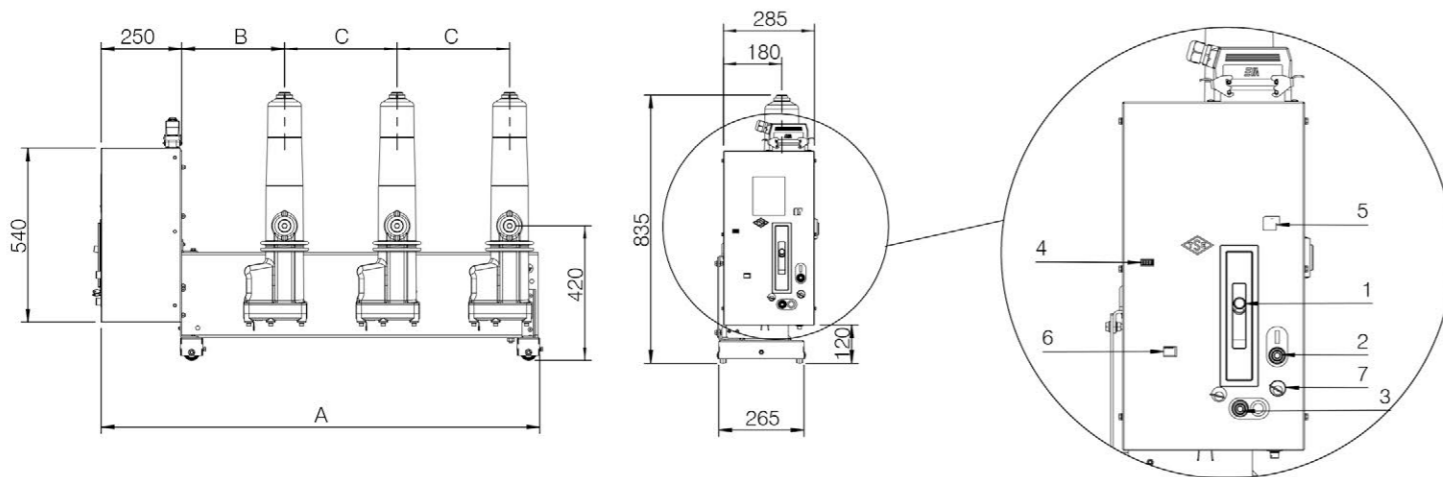
General Specifications

- BGK type SF6 circuit breakers guarantees high level of safety and reliability basically due to applied SF6 arc quenching technic and BATEL's experience in medium and high voltage switchgear production more then 35 years.
- By these means BGK circuit breakers provide high level continuity and availability for the electricity distribution systems. These specs also obtain longer operational endurance and less maintenance. 3 separate poles have epoxy resin insulated enclosure which are filled with SF6 gas and this sealed pressure system guaranteed for its life.
- The safety of the gas filled pole enclosure is secured by the membrane system on the bottom cap.
- Operating mechanism can be charged manually by lever or by motor. Charged mechanism has stored energy for closing and opening. Closing and opening functions can be done by the push-buttons or by the release coils.
- BGK circuit breakers have both frontal mechanism and lateral mechanism versions.
- Circuit breaker poles can be optionally equipped with pressure switch or pressure indicator for alarm and low pressure conditions.
- For OPEN / CLOSED positions, 4NO + 4 NC or 6 NO + 6 NC auxiliary contacts can be selected optionally.



Frontal Type

Rated Voltage (kV)	Dimensions (mm)			Weight (kg)
	A	B	C	
12 - 17,5	750	125	220	100-115
24	860	150	280	105-120
36	1060	150	380	110-125



Lateral Type

Rated Voltage (kV)	Dimensions (mm)			Weight (kg)
	A	B	C	
12 - 17,5	974	210	210	95-105
24	1094	250	250	100-110
36	1370	320	350	115

1. Charging arm
2. Closing button
3. Opening button
4. Counter
5. Position indicator
6. Spring indicator
7. Mechanical lock

BGK 24 kV

CIRCUIT BREAKER



BGK 36 kV

CIRCUIT BREAKER

Technical Characteristics

Rated voltage	kV	12	17,5	24	36
Power frequency withstand voltage 50 Hz, 1 min	kV rms	28	38	50	70
Lightning impulse withstand voltage 1.2/50 μs	kV peak	75	95	125	170
Rated frequency	Hz	50	50	50	50
Rated current	A	630/1250	630/1250	630/1250	630/1250
Short circuit breaking current	kA	16/20/25	16/20/25	16/20/25	16/20/25
Short time withstand current	kA, 3s	16/20/25	16/20/25	16/20/25	16/20/25
Short circuit making current	kA peak	40/50/62,5	40/50/62,5	40/50/62,5	40/50/62,5
Operating sequence		0 - 0.3 s - CO - 3 min - CO			
Related Standard		IEC 62271-100			
Electrical endurance class		E1 (E2 for non-recosing)			
Mechanical endurance class		M1 (2000 operations)			
Capacitive current switching class		C2			
Ambient temperature for working	°C	- 15 / + 40			

Release coil and charging motor options :

Power supply 24 V DC - 48 V DC - 110 V DC - 220 V AC



BATEL ELEKTROMEKANİK SANAYİ VE TİCARET A.Ş.
A.O.S.B. 10001 Sk. No.13 Çiğli 35620 İZMİR - TÜRKİYE
Tel. +90 232 376 76 90 • Fax +90 232 376 76 91
info@batel.com.tr • www.batel.com.tr

7/24
service
+90 232 376 76 90
servis@batel.com.tr